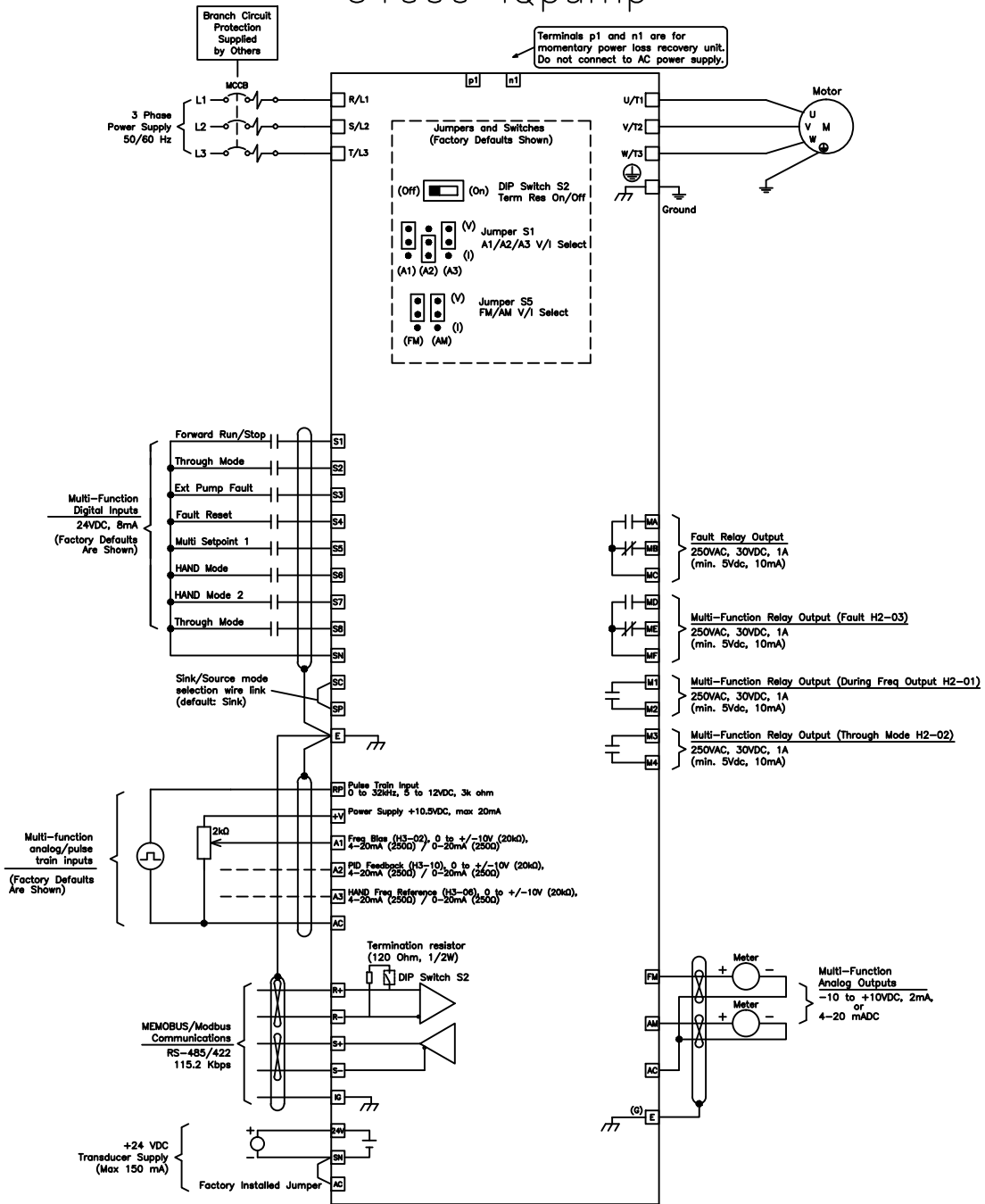
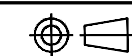


# U1000 iQpump



**YASKAWA**



UNITS -  
SCALE -

DRWN.	J. MATTAS	2-15-18
CHKD.	J. PIOTROWSKI	2-20-18
TECH.	-	-
APRV.	T. UCHINO	2-23-18

TITLE  
U1000 iQpump DRIVE  
STANDARD CONNECTION DIAGRAM

SIZE A PAGE 1 OF 1  
DWG.NO. DS.UW1000.01

REV 0